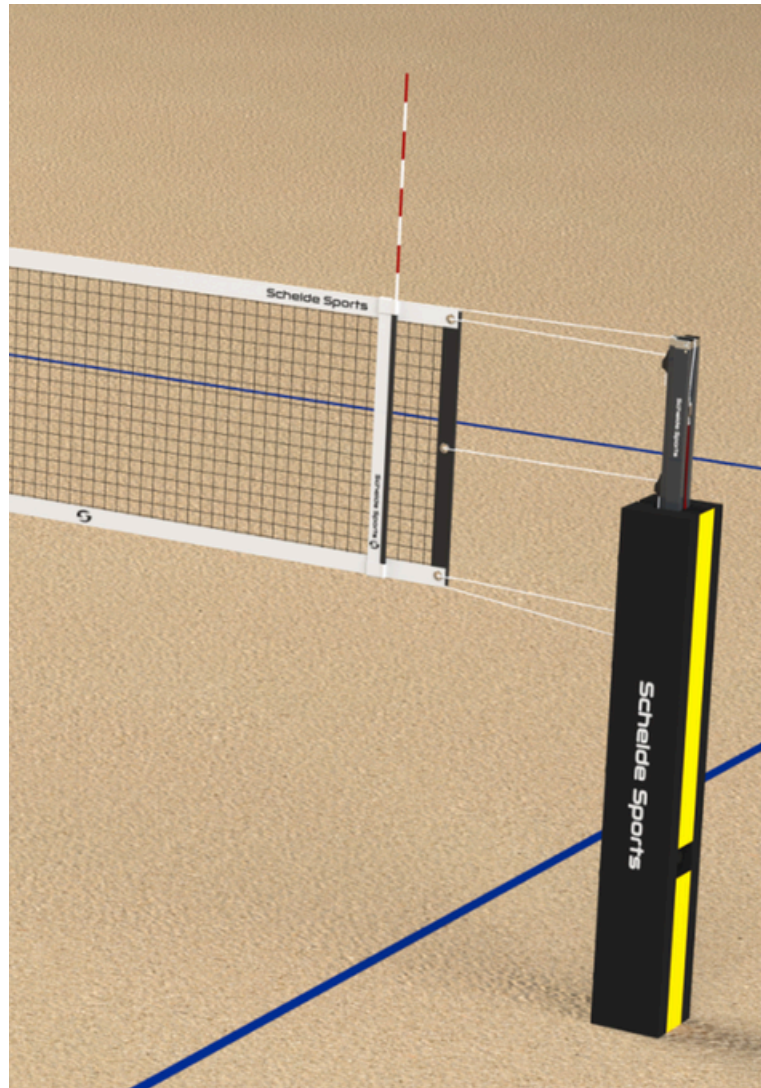


1640504

Assembly and user manual

Beach volleyball set



Contact

www.scheldesports-international.com

export@scheldesports.nl

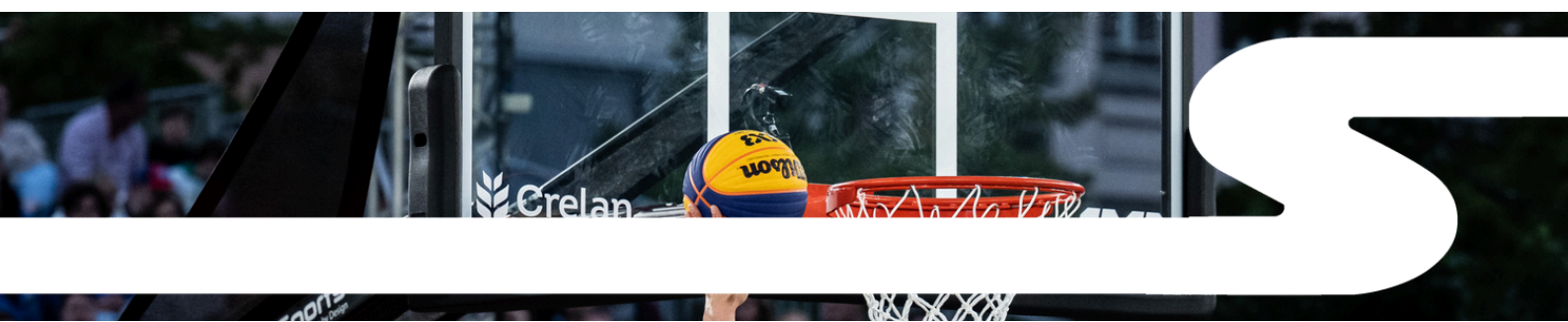


Table of contents



1. Safety	3
2. Parts	5
3. Supplies for assembly	6
4. Weight and sizes	6
5. Installation	7
6. Maintenance	13
7. Technical information	15

Nothing in this manual may be copied or used by third parties without the permission of Schelde Sports

Latest version: February 2026



1. General information

Although the utmost care has been taken in this manual, errors and omissions cannot be completely excluded. Schelde Sports therefore accepts no liability, including for direct or indirect damages, arising from or related to the use and application of this assembly manual. In any situation, safety regulations must be observed, both general regulations and those in this manual.

2. How to use this assembly manual

This manual contains instructions for assembly. Read this manual and instructions related to the assembly of this product carefully and keep the manual always within reach. To avoid the risk of (serious) injury, carefully read and apply all warnings, precautions and instructions of this manual. The supervisor should make users aware of the presence of this user manual and the obligation to read it before using this product.



WARNING Installation

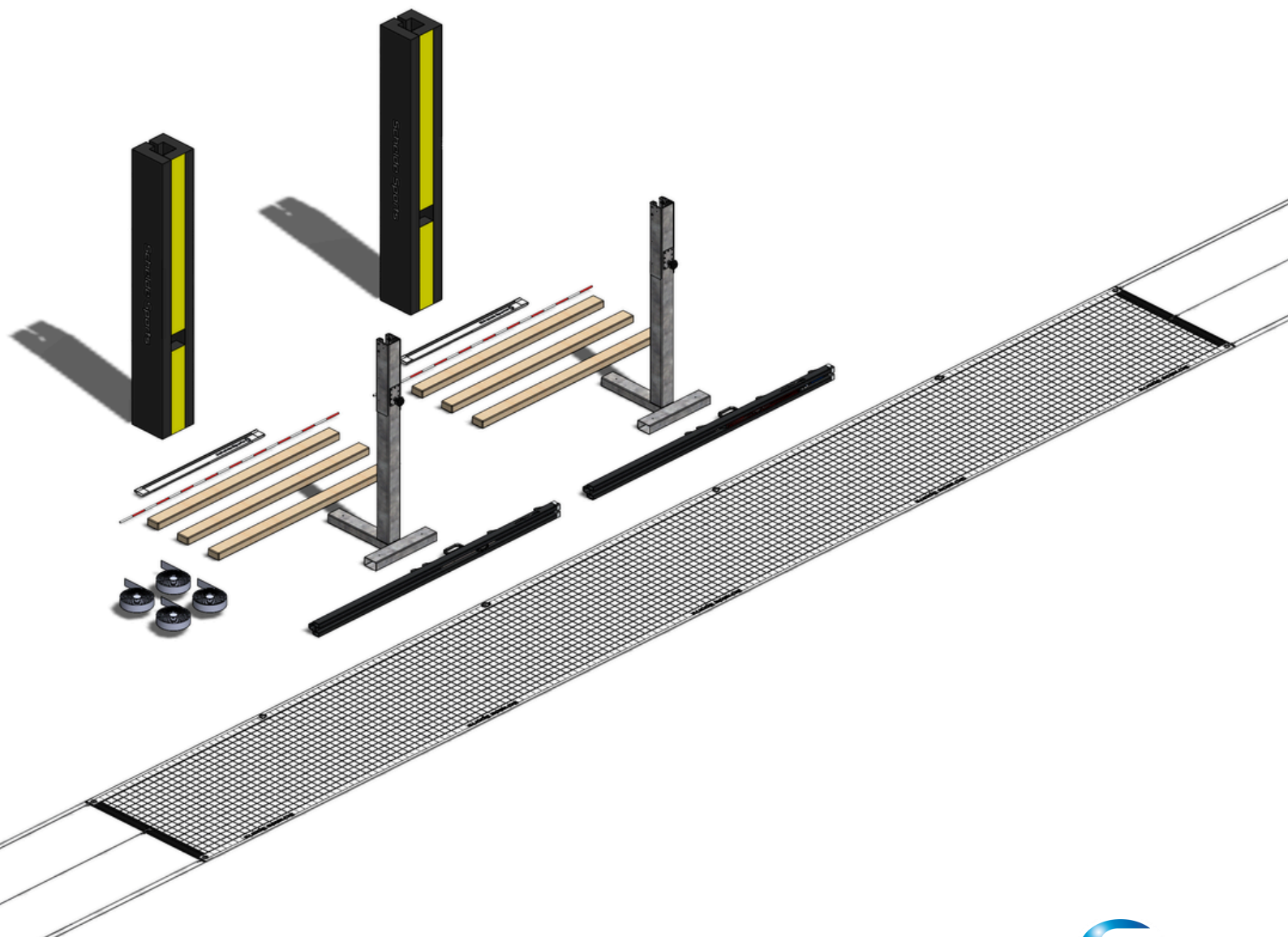
- Work with a minimum of two people.
- The parts should only be used for beach volleyball, beach tennis and beach footvolleyball purposes, any other use will void the warranty.
- **Check the parts carefully for damage. If damage is present, it is possible that rust may develop. Do not install the unit when damage is present.**
- **Check the wooden beams regularly. Replace the parts in time if needed.**
- **When the product is not used, it is recommended to store the parts in a dry surrounding.**



WARNING Use

- Check the setup before use to make sure everything is secured.
- Do not hang from the net.
- Install the padding before use.
- Check that the net is hanging at the correct height.
- Ensure that the red sticker on the profile is not visible above the housing when adjusting the height.
- Do not wear loose clothing and jewellery.
- Use only under appropriate supervision.

Product number	Product name	Amount
1640500	Beach Volleyball net	1
1640501	Padding Beach Volleyball set	2
1640502	Beach Volleyball pole - tension side	1
1640503	Beach Volleyball pole - fixed side	1
1654670	Antenna + cover set	1
1695986	Lines Beach Volleyball	1



Supplies for assembly

For assembly

- Shovel
- Level
- Tape measure
- Phillips screwdriver

Weight and sizes

Complete pole - tension side

Weight: 36kg
Dimensions: 60 x 50 x 210cm

Complete pole - fixed side

Weight: 35.5kg
Dimensions: 210 x 60 x 50cm

Net

Weight: 4kg
Dimensions: 100 x 20 x 20cm

Padding

Weight: 4.5kg
Dimensions: 190 x 25 x 23cm

Wooden beams

Weight: 2.8kg
Dimensions: 150 x 4.5 x 9cm

Antenna + cover

Weight: 0.8kg
Dimensions: 180 x 15 x 15cm

Lines

Weight: 1.5kg
Dimensions: 20 x 25 x 15cm

Installation

Step 1

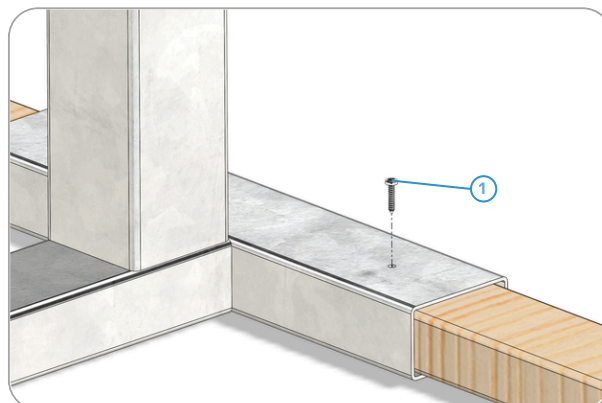
Mount the wooden beams in the housing.
(2x) The two beams that will be butted up against each other both protrude 25 cm into the enclosure.

Fasteners

① Screw

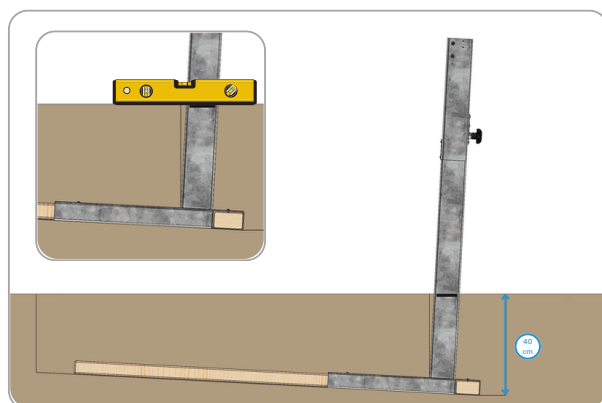


6x

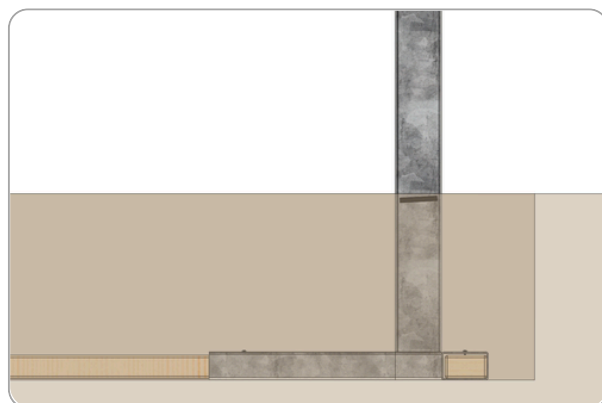


Step 2

Dig a hole 40 cm deep in the sand and place the housing in it. There is a black line on the pole, make sure it is level. This will place the pole at a 3 degree angle. This also indicates the height of 40 cm (top line).



When the pole is completely buried and the net is stretched between the two poles, the poles are pulled vertically and then the stripe is no longer visible.

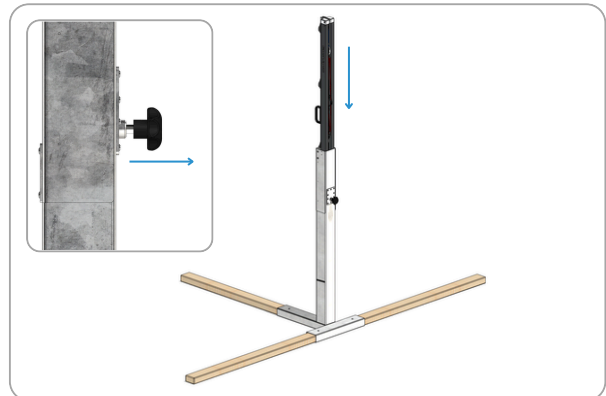


Installation

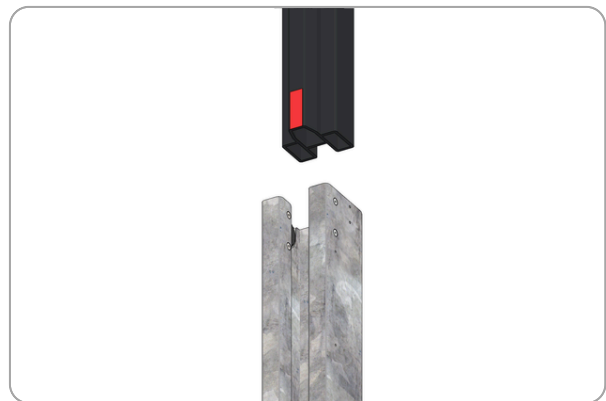
Step 3

Turn the dial as far out as possible.

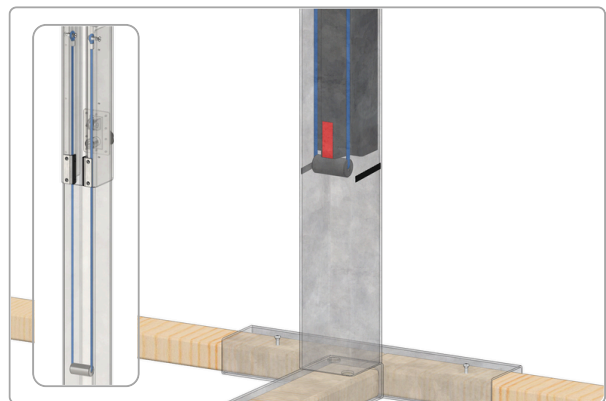
The profile can now be inserted into the housing.



Position the profile with the narrow side with the red sticker toward the playing field and carefully insert it vertically into the base.



In the housing hangs a blue rubber band with a plastic cylinder, make sure the rubber band does not get in between anything.

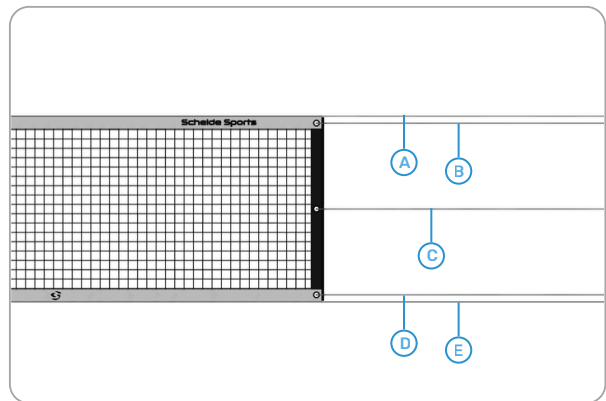
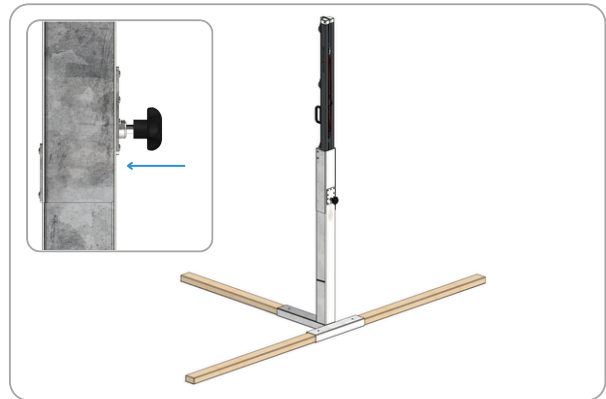


One of the two profiles has a blue elastic with pulleys and a red cord attached to the back, this is the tension side.



Step 4

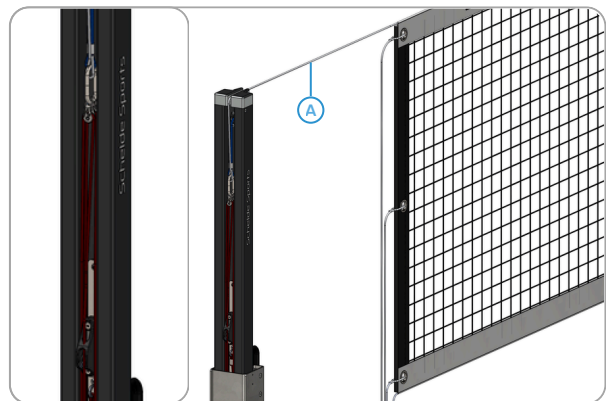
Ensure that the pole is at a height that the top is accessible. Tighten the rotary knob to secure the profile in the housing. The top of the pole is approximately equal to the height of the net.



Step 5

Begin attaching the net to the tension side. Make sure the carabiner hangs as high as possible by giving the red rope enough length. Then secure the red rope in the black clip.

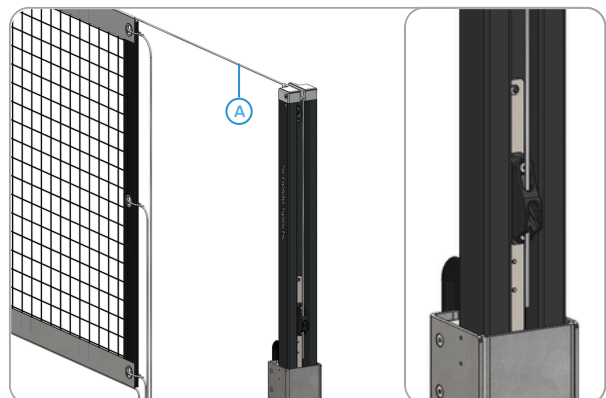
Make a loop in the top rope (A) of the net. The rope runs across the top of the pole. Then hook the rope to the carabiner at the back.



Step 6

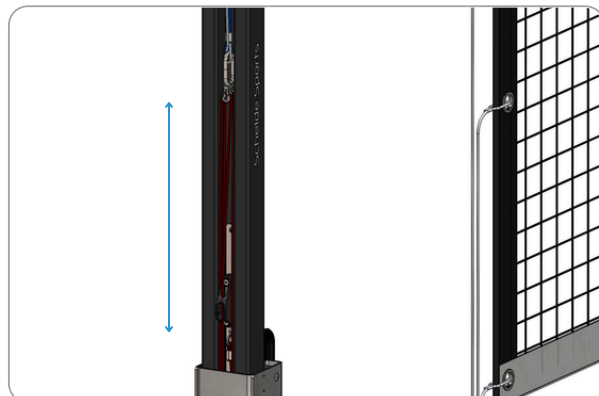
Now attach the top rope (A) to the fixed side as well.

Again, the top rope runs across the top of the pole, but now the rope is passed through the clamp and secured.



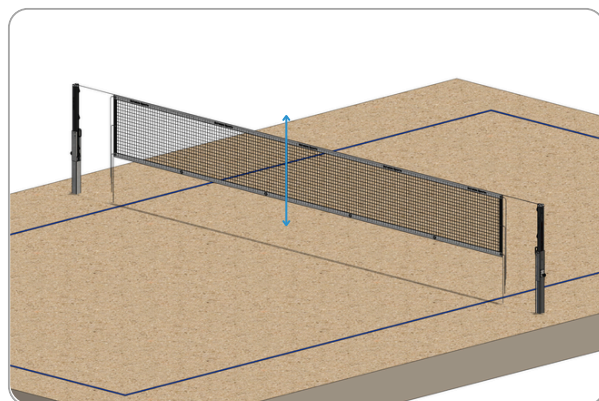
Step 7

Now pull the red cord, this will tension the net.



Step 8

Now adjust the pole to the correct height. First, loosen the knob. Slide the pole to the desired height using the handle so that you cannot get trapped. Then tighten the knob again. Do this on both sides at the same time to raise or lower the net evenly. You may need to take some tension off the net first. Measure the height at the middle of the net.

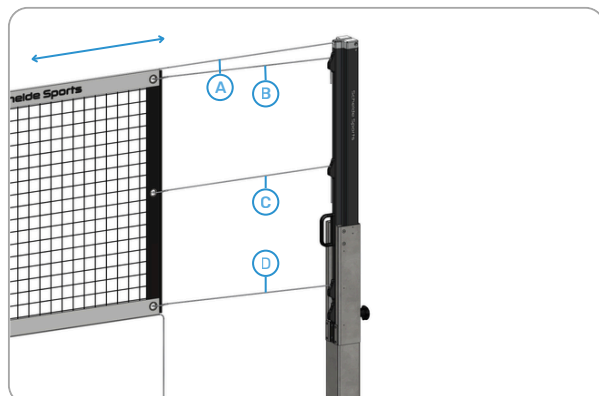


Ensure that the red sticker on the profile is never visible above the housing when securing the profile.



Step 9

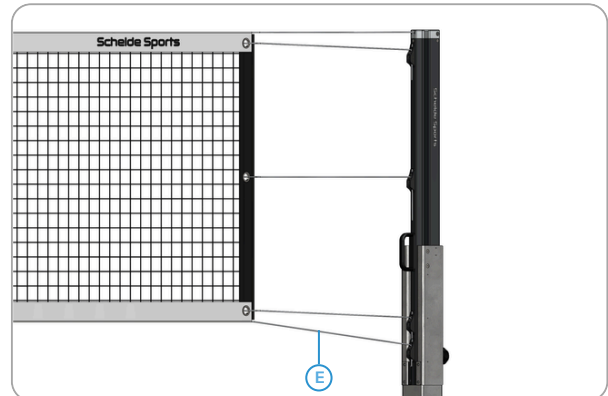
First centre the net in the middle of the playing field, as the net can slide in the top rope (A). Now attach the middle three ropes (B,C and D) on both sides in the clamps on the inside of the pole. This will tension the net evenly.



Step 10

Now attach the bottom rope (E) on both sides. This will also tighten the underside of the net. Rope (E) can also move left and right in the net, so align this net first in the middle as well before securing it to the poles.

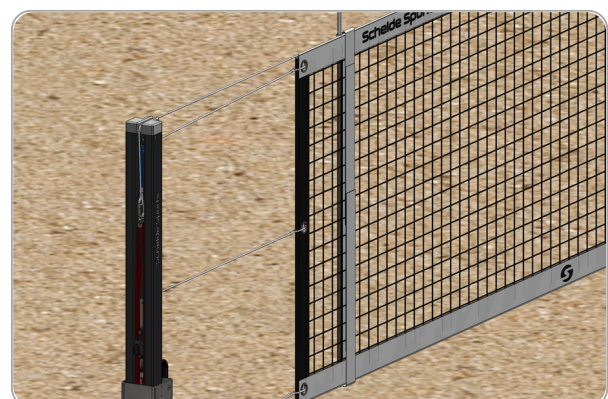
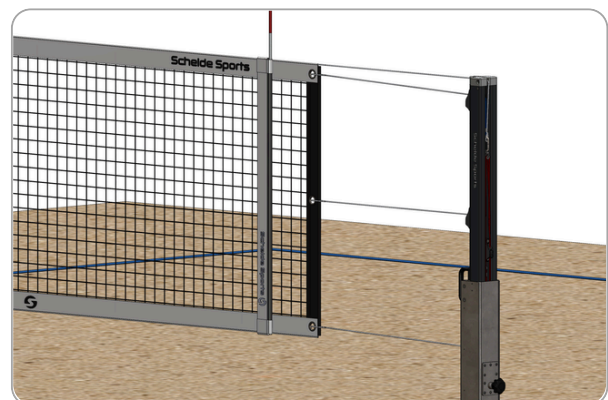
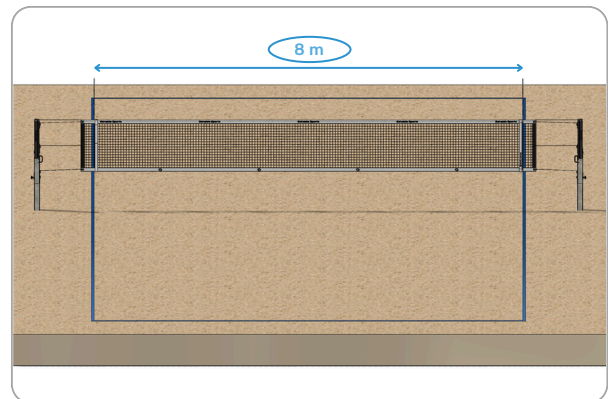
Tension all the ropes just until the net is tensioned well enough. The resulting forces are shown in the dimension sketch.



Step 11

Attach the antenna cover and antenna to the net. The cover is folded and secured around the net using straps with Velcro. The antenna can be inserted at the top.

The distance between the antennas is 8 m.

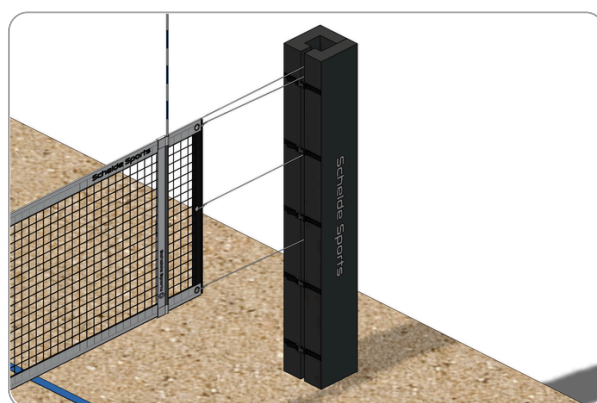
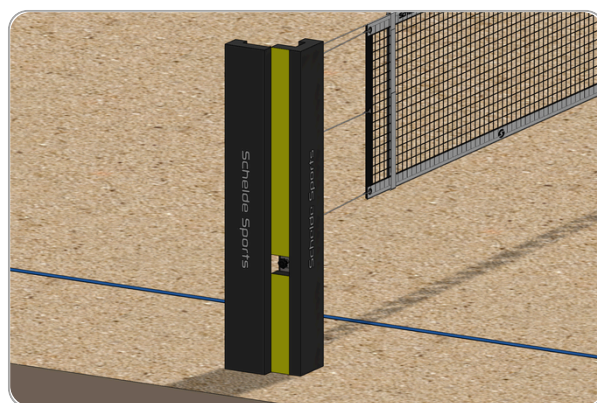
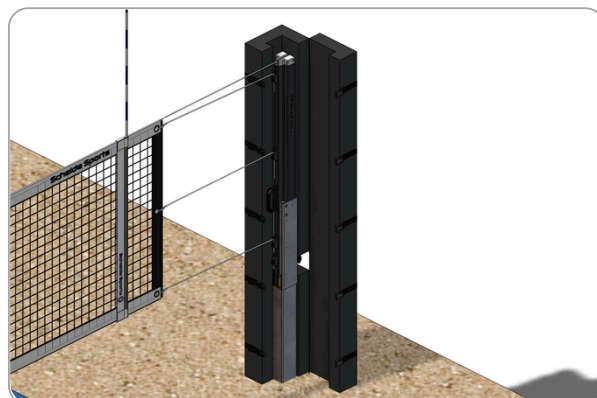


Step 12

Now place the padding around both poles. Place the padding on the ground and fold it around the pole. There is a recess for the button at the back. On the inside, the padding is fastened by means of buckles.

Ensure that the straps for the buckles are not tightened too much. The buckle should close without any real effort. Tightening them too much may cause the padding to tear.

The poles can be adjusted in height without removing the padding. However, a single buckle may have to be unclipped due to the ropes of the net.



Please note: the padding is suitable for outdoor use, but will remain at its best when removed and stored after use. It is possible that it will discolour over time due to sunlight.

Maintenance

Checklist

To keep the product in good condition, careful handling is important before, during and after use. This also means regular checks, for which a checklist has been drawn up.

After use, storage of the parts to be removed (net, profiles and padding) is important to keep the product in good condition for as long as possible. See next page for storage instructions.

- The foot is well buried and has no slack.
- On the inside of the foot, the elastic is not twisted and hangs straight down.
- The rubber bands are still intact.
- The profile can be inserted well into the base and adjusted in height.
- The clamping system with dial clamps the poles well and is easy to loosen and tighten.
- The tensioning system (red cord) sits orderly and works properly.
- The net is not damaged.
- The padding is not damaged.
- No damage can be seen on the profiles.
- After being buried for some time, check the condition of the wooden beams.

Maintenance

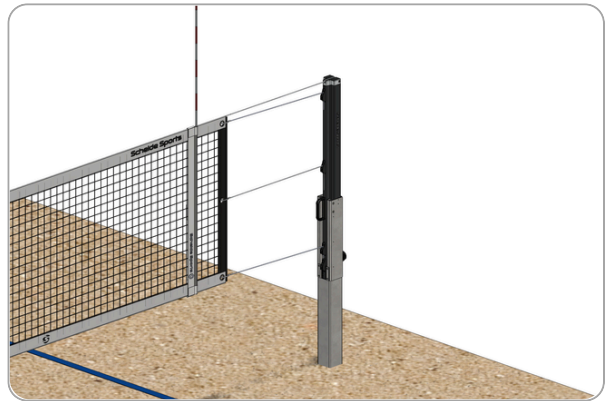
Storage

When the playing field is not used (for an extended period of time), store some of the equipment in a dry location:

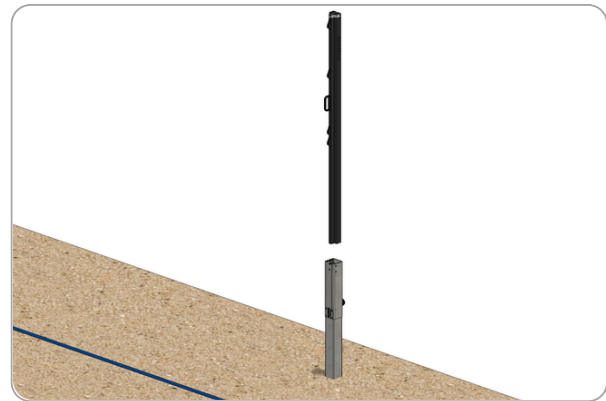
- The padding
- The net
- The sliding profiles

Covering the housing is recommended.

First, take off the padding. Lower the poles and then take off the net.



Then lift the profiles out of the housing.



Technical information

Dimension sketch

